

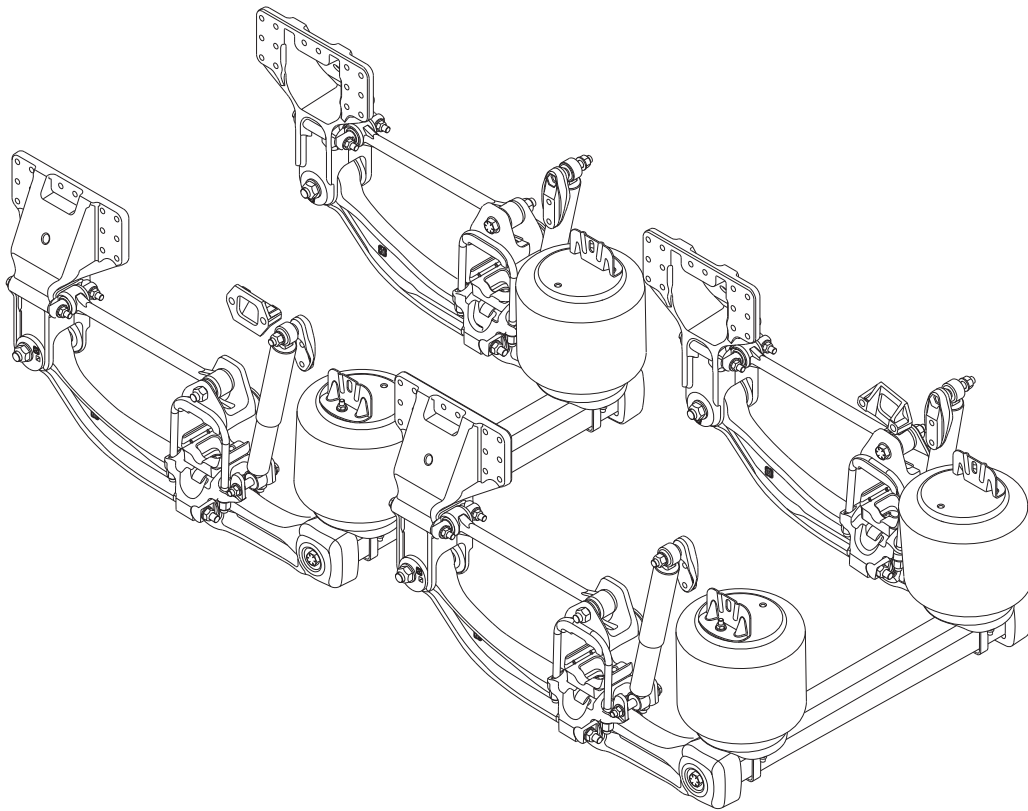
PARTS LIST

PRIMAAX[®] EX / PRIMAAX[®] for
Volvo Vehicles

LIT NO: SP-226

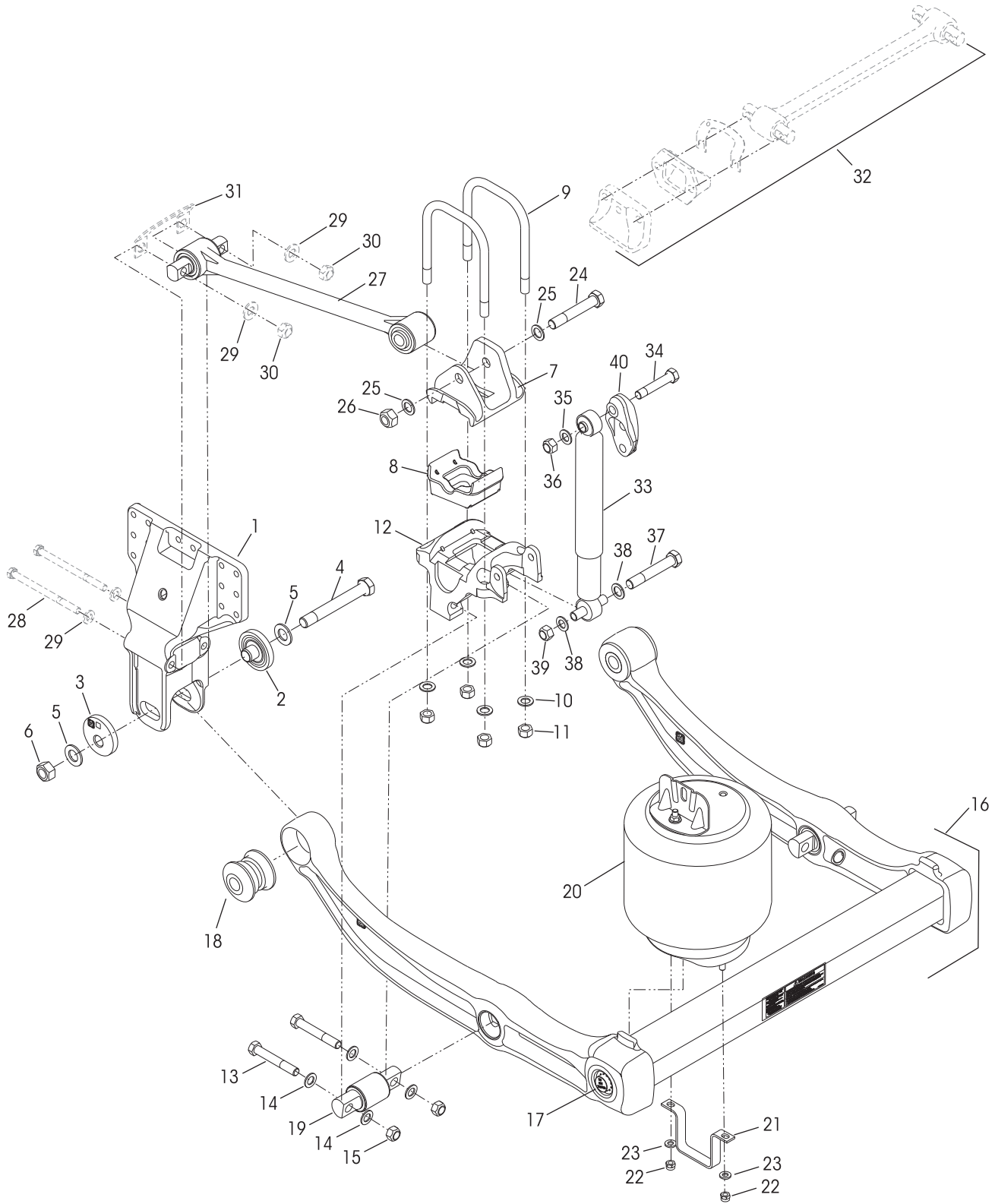
DATE: May 2012

REVISION: B





■ 8.5" Ride Height





KEY NO.	PART NO.	DESCRIPTION	*NO.REQ.
1	67222-000	Frame Hanger	4
	60632-021	QUIK-ALIGN Collar Service Kit, Axle Set, Includes Key Nos. 2-6	
	60632-020	QUIK-ALIGN Pivot Bushing Service Kit, One Axle, Includes Key Nos. 2-6, 18	
	60632-019	QUIK-ALIGN Collar Service Kit, Per Wheel End, Includes Key Nos. 2-6	
	60632-018	QUIK-ALIGN Fasteners Service Kit, Per Wheel End, Includes Key Nos. 4-6	
2	64633-000	QUIK-ALIGN Concentric Collar	4
3	64632-000	QUIK-ALIGN Eccentric Collar	4
4	68217-000	1.0"-14 UNF-2A H-Coat 7.5" Hex Bolt	4
5	68232-000	1.0" H-Coat Flat Washer	8
6	68218-000	1.0"-14 UNF-2B H-Coat Locknut	4
7	60877-001	Top Pad	4
8	65139-003	Axle Spacer	4
	48718-125	U-bolt Service Kit, One Wheel End, Includes Key Nos. 9-11	
9	59367-004	U-bolt, ¾" Square 10.375"	8
10	22962-001	¾" Flat Washer	16
11	49685-000	¾"-16 UNF U-bolt Locknut	16
12	60556-XXX	Bottom Cap, <i>See table below</i>	4
	34013-107	D-Pin Service Kit, One Wheel End, Includes Key Nos. 13-15, 19	
13	21867-036	¾"-16 UNF 5.0" Bolt	8
14	22962-001	¾" Flat Washer	16
15	30191-000	¾"-16 UNF Locknut	8
16		***U-beam Assembly, Includes Key Nos. 18-19	
	67249-003	Rear	1
	67249-004	Front	1
17	69565-001	U-beam Assembly Enhancement Aftermarket Service Kit, See below for contents	
18	58648-000	QUIK-ALIGN Pivot Bushing	4
19	60383-000	D-Pin Bushing	4

KEY NO.	PART NO.	DESCRIPTION	*NO.REQ.
	60961-230	Air Spring Assembly Service Kit, One Wheel End, Includes Key Nos. 20-23	
20	67043-002	Air Spring Assembly	4
21	60911-002	Lower Air Spring Mounting Bracket	4
22	17700-010	½"-13 UNC Locknut	8
23	22962-014	½" Flat Washer	8
	58821-012	Torque Rod to Top Pad Fastener Service Kit, One Side Only, Includes Key Nos. 24-26	
24	30418-009	⅞"-14 UNF-2A 5.5" Hex Bolt	4
25	22962-034	⅞" Flat Washer	8
26	29248-000	⅞"-14 UNF-2B Locknut	4
27	67274-XXX	Longitudinal Torque Rod Assembly, <i>See table</i> <i>below. Replaces 64981-XXX</i>	4
28		**M16 x 2 6G Bolt	8
29		**M16 Washer	16
30		**M16 x 2 6H Locknut	8
31		**Torque Rod Shim (Aftermarket)	As req.
	70240-001	3.04 mm	
	70240-001	1.52 mm	
32		**Transverse Rod Assembly	2
	60961-106	Single Shock Absorber Service Kit, Includes Key Nos. 33-39	
33	60657-007	Shock Absorber	4
	50754-030	Single Shock Absorber Fastener Service Kit, Includes Key Nos. 34-39	
34	50764-010	¾"-10 UNC 4.25" Upper Shock Bolt	4
35	22962-001	¾" Flat Washer	4
36	49842-000	¾"-10 UNC Locknut	4
37	32043-017	⅝"-11 UNC 6.0" Lower Shock Bolt	4
38	22962-004	⅝" Flat Washer	8
39	47764-000	⅝"-11 UNC-2B Locknut	4
40	67463-006	Shock Upper Frame Bracket	4
Not Shown		**Height Control Valve Assembly	1
Not Shown		**Height Control Valve Linkage	1

NOTES:

* Quantities shown are for a tandem configuration.

** Item Required, component supplied by vehicle manufacturer. Hendrickson is not responsible for components not supplied by Hendrickson, for assistance with maintenance and rebuild instructions on these components see vehicle manufacturer.

Key Nos. 12 and 27

Bottom Cap, Longitudinal Torque Rod Selection Table

8.5" RIDE HEIGHT

Pinion Angle (degree)	Bottom Cap Part No.	Longitudinal Torque Rod	
		Length (mm)	Part No
2.9	60556-025	530 (front)	67274-530
6	60556-060		
7.9	60556-120	550 (front)	67274-550
10.3	60556-100	575 (rear)	67274-575
10.7	60556-105		
11.2	60556-110		
11.6	60556-115		
12.1	60556-120		
13	60556-130		
13.4	60556-135		

Measured with QUIK-ALIGN pinion set at neutral position (12 O'Clock)

Key No. 17

U-beam Assembly Enhancement

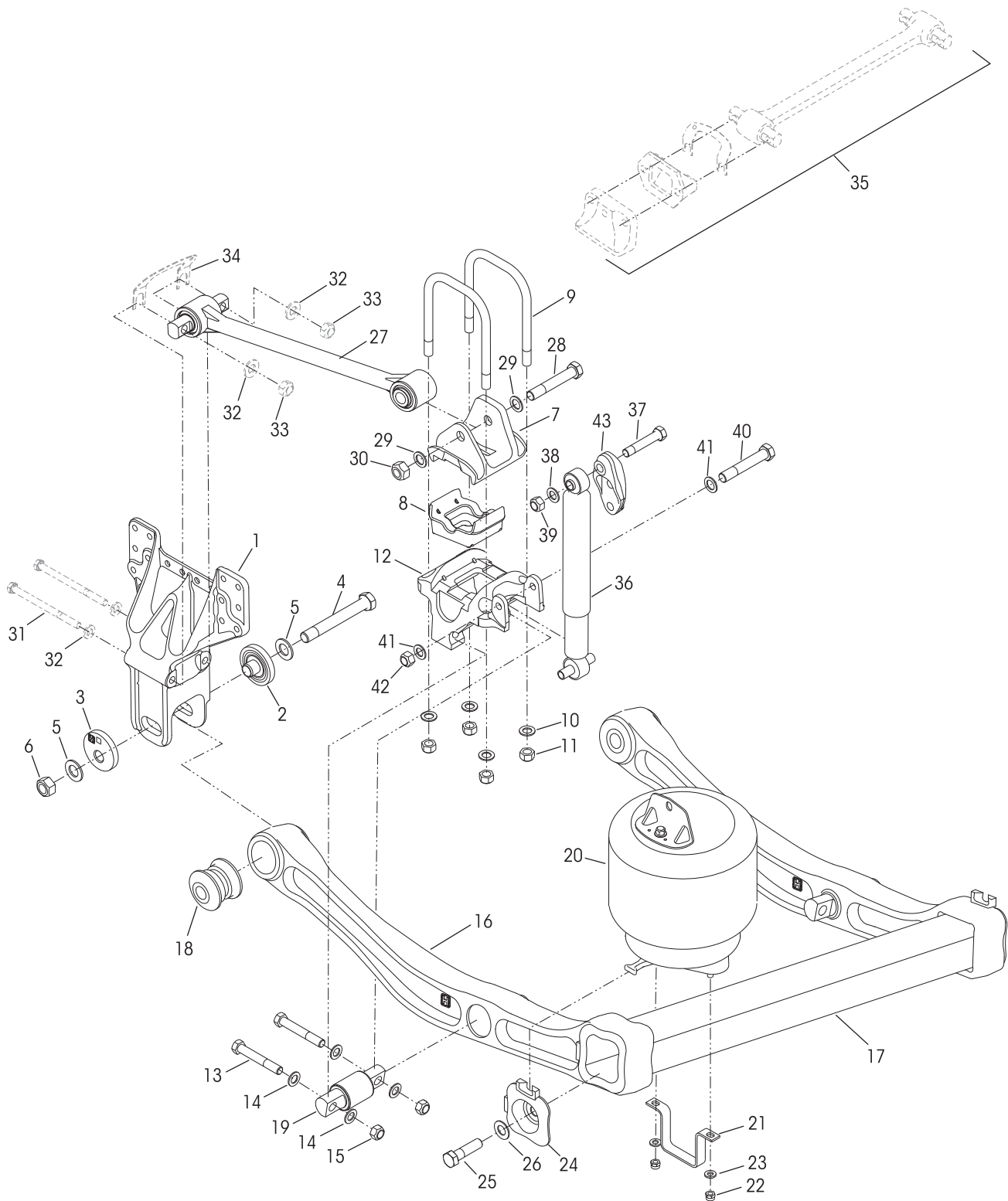
AFTERMARKET SERVICE KIT
NO. 69565-001, AXLE SET

CONTENTS

PART NO.	DESCRIPTION	QTY.
69351-000	Sikaflex 221 Polyurethane Sealant, 300 ml Tube	1
69432-000	Tamper Resistant Cap	2
69570-000	Loctite® 277 - 10 ml Bottle	1
50104-006	⅞"-9 UNC 4.0" Hex Bolt	2
22962-042	⅞" H-Coat Flat Washer	2

*** In the event any service to the suspension requiring disassembly of a U-beam assembly equipped with integrated end caps, the Loctite 277, tamper resistant caps and Sikaflex 221 polyurethane sealant must be properly installed to ensure components function to their highest efficiency. The enhancement components can be purchased individually or as an aftermarket service kit.

■ 8.5" Ride Height





KEY NO.	PART NO.	DESCRIPTION	*NO.REQ.	KEY NO.	PART NO.	DESCRIPTION	*NO.REQ.
1	65702-001	Frame Hanger	4		60961-062	Air Spring Assembly Service Kit, One Wheel End, Includes Key Nos. 20-23	
	60632-021	QUIK-ALIGN Collar Service Kit, Axle Set, Includes Key Nos. 2-6		20	60271-002	Air Spring Assembly	4
	60632-020	QUIK-ALIGN Pivot Bushing Service Kit, One Axle, Includes Key Nos. 2-6, 18		21	60911-000	Lower Air Spring Mounting Bracket	4
	60632-019	QUIK-ALIGN Collar Service Kit, Per Wheel End, Includes Key Nos. 2-6		22	17700-010	½"-13 UNC Locknut	8
	60632-018	QUIK-ALIGN Fasteners Service Kit, Per Wheel End, Includes Key Nos. 4-6		23	22962-014	½" Flat Washer	8
2	64633-000	QUIK-ALIGN Concentric Collar	4	24	60822-000	End Cap	4
3	64632-000	QUIK-ALIGN Eccentric Collar	4	25	50104-003	⅞"-9 UNC 3.5" Hex Bolt	4
4	68217-000	1.0"-14 UNF-2A H-Coat 7.5" Hex Bolt	4	26	22962-034	⅞" Dacromet Flat Washer	4
		<i>Replaces 64107-000</i>		27	67274-XXX	Longitudinal Torque Rod Assembly, <i>See table on page 3, Replaces 64981-XXX</i>	4
5	68232-000	1.0" H-Coat Flat Washer	8		58821-012	Torque Rod to Top Pad Fastener Service Kit, One Side Only, Includes Key Nos. 28-30	
		<i>Replaces 22962-035</i>		28	30418-009	⅞"-14 UNF-2A 5.50" Hex Bolt	4
6	68218-000	1.0"-14 UNF-2B H-Coat Locknut	4	29	22962-034	⅞" Dacromet Flat Washer	8
		<i>Replaces 64108-000</i>		30	29248-000	⅞"-14 UNF-2B Locknut	4
7	60877-001	Top Pad	4	31		**M16 x 2 6G Bolt	8
8	65139-003	Axle Spacer	4	32		**M16 Washer	16
	48718-125	U-bolt Service Kit, One Wheel End, Includes Key Nos. 9-11		33		**M16 x 2 6H Locknut	8
9	59367-004	U-bolt, ¾" Square 10.375"	8	34		**Shim (may or may not be required)	As Req
10	22962-001	¾" Flat Washer	16	35		**Transverse Rod Assembly	2
11	49685-000	¾"-16 UNF U-bolt Locknut	16		60961-106	Single Shock Absorber Service Kit, Includes Key Nos. 36-43	
12	60556-XXX	Bottom Cap, <i>See table on page 3</i>	4	36	60657-007	Shock Absorber	4
	34013-107	D-Pin Service Kit, One Wheel End, Includes Key Nos. 13-15, 19			50754-030	Single Shock Absorber Fastener Service Kit, Includes Key Nos. 37-43	
13	21867-036	¾"-16 UNF 5.0" Bolt	8	37	50764-010	¾"-10 UNC 4.25" Upper Shock Bolt	4
14	22962-001	¾" Flat Washer	16	38	22962-001	¾" Flat Washer	4
15	30191-000	¾"-16 UNF Locknut	8	39	49842-000	¾"-10 UNC Locknut	4
16		***Support Beam Assembly (<i>60831-XXX, see replacement guide below</i>)		40	32043-017	⅝"-11 UNC 6.0" Lower Shock Bolt	4
17		***Cross Tube (<i>60912-001, see replacement guide below</i>)		41	22962-004	⅝" Flat Washer	8
18	58648-000	QUIK-ALIGN Pivot Bushing	4	42	47764-000	⅝"-11 UNC-2B Locknut	4
19	60383-000	D-Pin Bushing	4	43	67463-006	Shock Upper Frame Bracket, <i>Replaces 65000-006</i>	4
				Not Shown		**Height Control Valve Assembly	1
				Not Shown		**Height Control Valve Linkage	1

NOTES:

* Quantities shown are for a tandem configuration.

** Item Required, component supplied by Vehicle Manufacturer. Hendrickson is not responsible for components not supplied by Hendrickson, for assistance with maintenance and rebuild instructions on these components see vehicle manufacturer.

*** No longer available for service, see replacement guide below. For more information, refer to Hendrickson Technical Bulletin Literature No. SEU-0229 or contact Hendrickson Tech Services.

SUPPORT BEAM AND CROSS TUBE ASSEMBLY REPLACEMENT GUIDE				
Key No.	Description	Current Part No.	Replacement Kit No.	Comments
16	Support Beam Assembly	60831-003 (LHF) 60831-004 (RHF)	60961-237 (Forward)	Requires the replacement of associated suspension parts on one axle.
		60831-001 (LHR) 60831-002 (RHR)	60961-238 (Rear)	U-beam assembly replacement Kit includes two new support beam assemblies, one cross tube, two air spring assemblies, air spring fasteners, QUIK-ALIGN fasteners and D-pin fasteners.
17	Cross Tube	60912-001	60961-237 (Forward) 60961-238 (Rear)	

This is a general parts list to provide directional information. Components may vary by model. Questions in regards to parts, contact Hendrickson Truck Parts at 1.866.755.5968 (Toll-free U.S. and Canada), 630.910.2800 (Outside U.S. and Canada) or e-mail: truckparts@hendrickson-intl.com.

www.hendrickson-intl.com



Truck Commercial Vehicle Systems
800 South Frontage Road
Woodridge, IL 60517-4904 USA

1.866.755.5968 (Toll-free U.S. and Canada)
630.910.2800 (Outside U.S. and Canada)
Fax 630.910.2899